

While a wide variety of bicycle rack designs are available "off the shelf," bike racks in Philadelphia should meet these basic minimum criteria:

- Fit in an envelope no larger than 42" long x 42" tall x 8" wide (see Figures 5 - 8).
- Support a bicycle in at least two places. (This prevents the bike from falling over.)
- Allow bicyclists to lock the frame and one wheel with a single U-lock.
- Be securely anchored to the ground (see page 18).
- Resist cutting, rusting, bending, or other deformation.
- Provide enough space between bike positions to realistically accommodate a bicycle locked in every spot (see page 14).

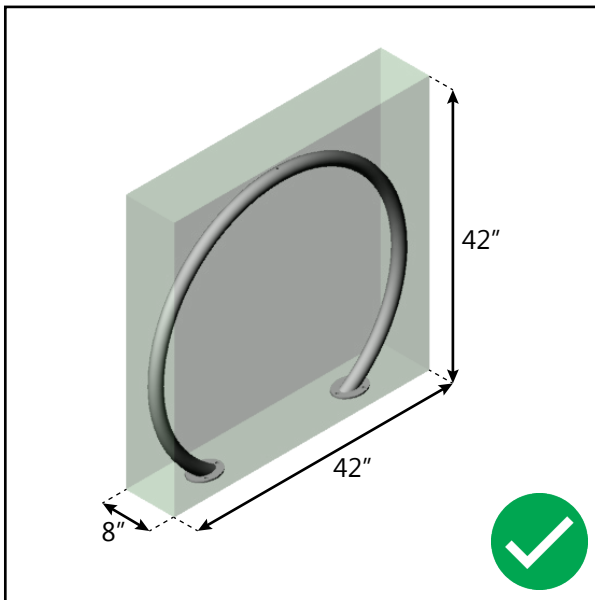


Figure 5: Standard Loop Rack

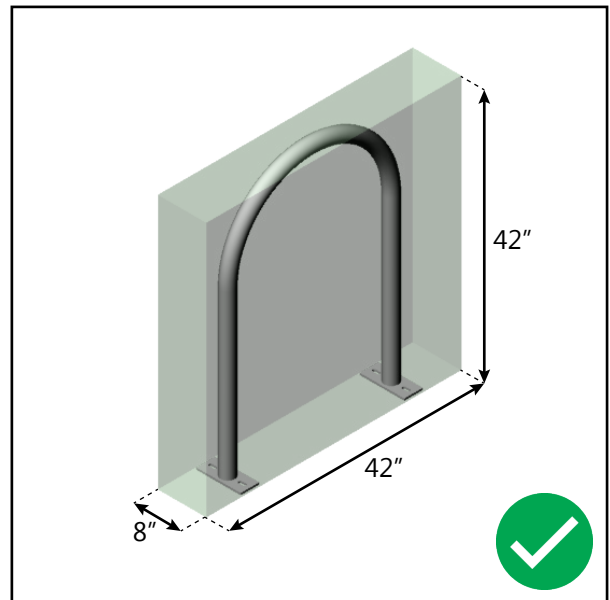


Figure 6: Standard U Rack

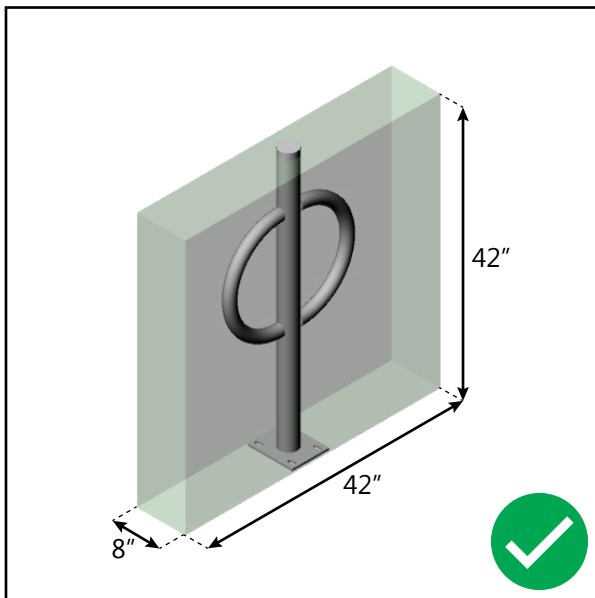


Figure 7: Standard Hitch Rack

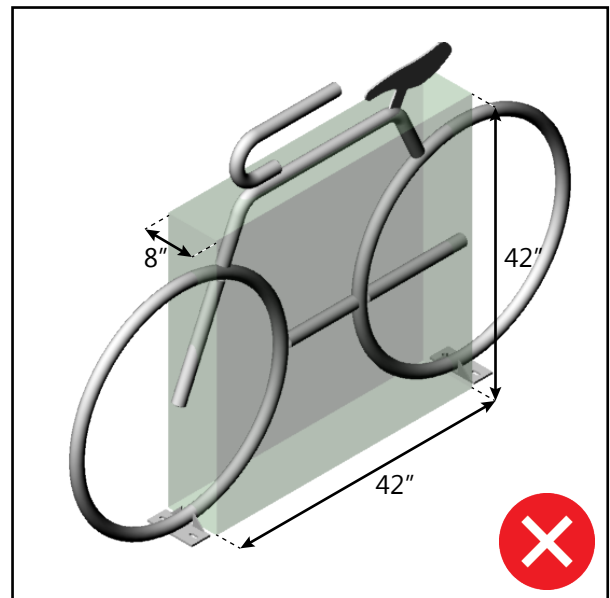


Figure 8: Large Sculptural Rack- DOES NOT FIT within envelope (42"x42"x8"). Not suitable for standard sidewalk installation.